

Hypertherm®

MAX200

Hand torch parts

PAC200 T/E consumables



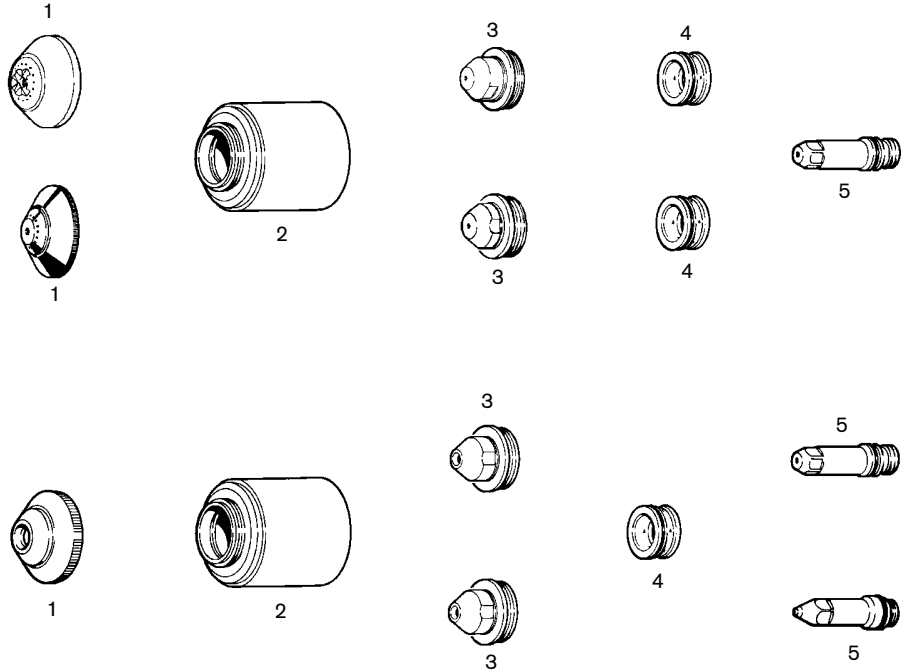
MAX200



PAC200T Torch



PAC200E Torch
(Gouging)



	Current	Plasma Gas	Shield	Retaining Cap	Nozzle**	Swirl Ring	Electrode**
			Item Number	1	2	3	4
Cutting Shielded	200-Amp	Air	020918	020915	020608	020607	220021
			020918	020915	020605	020604	220021
		Nitrogen	020918	020915	020608	020607	020415
		H35 (Aluminum Only)	020918	020915	020608	020607	020415
		H35 (Stainless Only)	020920	020915	020608	020607	020415
100-Amp	Air	020919	020915	020611	020607	120547	
	Oxygen	020919	020915	020616	020617	120547	
	H35 (Stainless/Aluminum Only)	020919	020915	020611	020607	020415	
Cutting Unshielded	40-Amp	Air	020917*	020915	020689	020613	220021
Gouging	200-Amp	Air	020891	020882	020615	020607	220021
		H35	020891	020882	020934	020607	020933

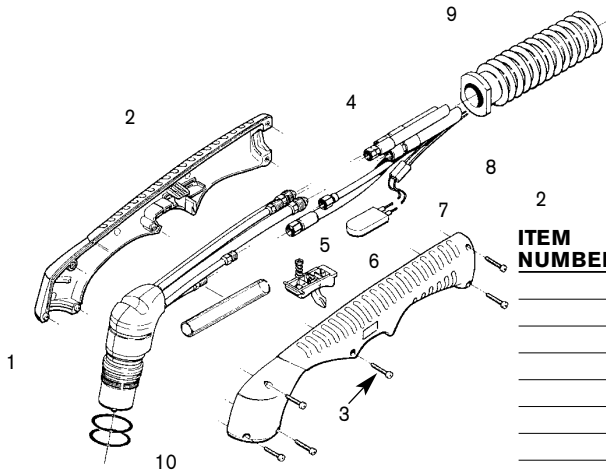
* Deflector used instead of shield for 40 Amp cutting.

** Sold in quantities of 5.

Genuine Hypertherm Consumables

The only way to ensure maximum performance

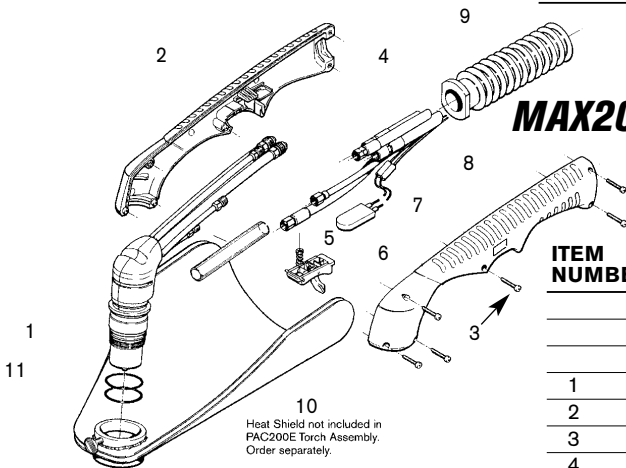
MAX200 PAC200T hand cutting torch assembly



ITEM NUMBER	PART NUMBER	DESCRIPTION
	073189^	PAC200T 90° Hand Cutting Torch Assembly, 25' / 7.6 m Leads
	073190^	PAC200T 90° Hand Cutting Torch Assembly, (no leads)
	029865	Leads, Torch-to-Power Supply, 25' / 7.6 m
	028715	Leads Set, Torch-to-Power Supply, 50' / 15.2 m
	028716	Leads Set, Torch-to-Power Supply, 75' / 22.9 m
	028717	Leads Set, Torch-to-Power Supply, 100' / 30.5 m
	028718	Leads Set, Torch-to-Power Supply, 125' / 38.1 m
	028719	Leads Set, Torch-to-Power Supply, 150' / 45.8 m
1	120045	Torch Main Body, PAC200T 90°
2	001412	Handle, PAC200T 90° (both halves included)
3	075365	Screw, #6 x 3/4", Phillips Head, Pan (six required)
4	046065	Insul. Tube, 9/16 ID x.03 WL, Teflon (included with lead sets)
5	027254	Trigger Spring, PAC200T/E
6	002244	Safety Trigger, PAC200T/E Torch
7	005094	Push Button Switch (included with lead sets listed above)
8	074069	Splice (two required)
9	001217	Boot
10	044027	O-Ring, Buna (two required)

^ Assembly includes consumables

MAX200 PAC200E hand gouging torch assembly



ITEM NUMBER	PART NUMBER	DESCRIPTION
	073111^	PAC200E 65° Hand Gouging Torch Assembly, 25' / 7.6 m leads
	073188^	PAC200E Gouging Torch Assembly, no leads
	-	See chart above for lead set part numbers and descriptions
1	020908	Torch Main Body, PAC200E 65°
2	001440	Handle, PAC200E 65° (both halves included)
3	075365	Screw, #6 X 3/4", Phillips Head, Pan (six required)
4	046065	Insulating Tube, 9/16 ID X.03 WL, Teflon
5	027254	Trigger Spring, PAC200T/E
6	002244	Safety Trigger, PAC200T/E
7	005094	Push Button Switch (included with lead sets listed on above chart)
8	074069	Splice (two required)
9	001217	Boot
10	020881	Hand Heat Shield, PAC200E Gouging Torch
11	044027	O-Ring, Buna (two required)

^ Assembly includes consumables

Hypertherm, MAX and PAC are trademarks of Hypertherm, Inc. and may be registered in the United States and/or other countries.

Hypertherm®

The world leader in plasma cutting technology™

www.hypertherm.com

Hypertherm, Inc. USA 603-643-3441 Tel 603-643-5352 Fax consumable.info@hypertherm.com

Hypertherm Automation USA 603-298-7970 Tel 603-298-7977 Fax info@hyperthermautomation.com

Hypertherm Plasmatechnik GmbH Deutschland 49 6181 58 2100 Tel 49 6181 58 2134 Fax HTDeutschland.info@hypertherm.com

Hypertherm (S) Pte Ltd. Singapore 65 6841 2489 Tel 65 6841 2490 Fax HTSingapore.info@hypertherm.com

Hypertherm (Shanghai) Trading Co., Ltd. PR China 86-21 5258 3330 /1 Tel 86-21 5258 3332 Fax HTChina.info@hypertherm.com

Hypertherm Branch of Hypertherm UK, LLC England 00 800 3324 9737 Tel 00 800 4973 7329 Fax HTUK.info@hypertherm.com

France (Representative office) 00 800 3324 9737 Tél 00 800 4973 7329 Fax HTFrance.info@hypertherm.com

Hypertherm Europe B.V. Nederland 31 165 596907 Tel 31 165 596901 Fax HTEurope.info@hypertherm.com

Hypertherm Japan Ltd. 81 6 6170 2020 Tel 81 6 6170 2015 Fax HTJapan.info@hypertherm.com

Hypertherm Brasil Ltda. 55 11 2409 2636 Tel 55 11 2408 0462 Fax HTBrasil.info@hypertherm.com

Hypertherm México, S.A. de C.V. 52 55 5681 8109 Tel 52 55 5683 2127 Fax ventas@hypertherm.com.mx

Australia/New Zealand (Representative office) 61 (0) 7 3219 9010 Tel 61 (0) 7 3219 9012 Fax sales.au@hypertherm.com